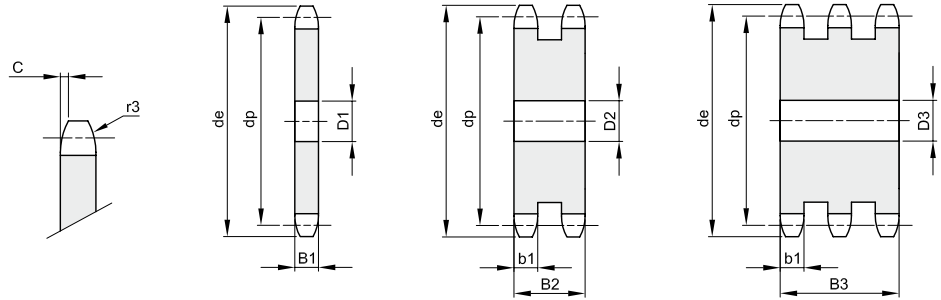




# KETTENRADSCHIBEN FÜR ROLLENKETTEN – DIN 8187

**2" x 1"1/4**  
**50,8 x 30,99 mm**  
 Rollen Ø 29,21 mm  
**32B - 1 - 2 - 3**

B1	B2	B3	b1	C	r3
29,4	87,4	146	28,8	6	51



Z	de	dp	einfach D1	kg	zweifach D2	kg	dreifach D3	kg
8	152,0	132,74	25	2,27	25	5,53	25	8,83
9	168,0	148,54	25	2,99	25	7,46	25	11,99
10	184,0	164,39	25	3,81	25	9,68	25	15,63
11	200,0	180,31	30	4,67	35	11,86	35	19,20
12	216,0	196,29	30	5,67	35	14,64	35	23,78
13	235,0	212,29	30	6,77	35	17,70	35	28,83
14	251,0	228,29	30	7,97	35	21,05	35	34,35
15	267,0	244,30	30	9,26	35	24,68	35	40,34
16	283,0	260,40	30	10,64	40	28,38	40	46,47
17	299,0	276,46	30	12,12	40	32,57	40	53,40
18	315,0	292,55	30	13,69	40	37,05	40	60,80
19	331,0	308,66	30	15,36	40	41,80	40	68,68
20	347,0	324,71	40	16,99	40	46,84	40	77,02
21	363,0	340,82	40	18,85	40	52,15	40	85,84
22	379,0	356,98	40	20,80	40	57,75		
23	396,0	373,08	40	22,85	40	63,63	40	104,88
24	412,0	389,18	40	24,99	40	69,80		
25	428,0	405,33	40	27,23	40	76,24	40	125,81

Z	de	dp	einfach D1	kg	zweifach D2	kg	dreifach D3	kg
26	444,0	421,44	40	29,56	40	82,97		
28	476,0	453,69	40	34,51	40	97,27		
30	508,0	486,00	40	39,84	40	112,70	40	186,37
32	541,0	518,27	40	45,54				
35	589,0	566,71	40	54,81	40	156,19	40	258,69
38	638,0	615,16	40	64,93	40	185,67	40	307,73
40	670,0	647,47	40	72,16	40	206,73		
45	751,0	728,24	40	91,87	40	265,32	40	438,64
50	832,0	809,04	40	113,96	40	328,95	40	549,27
57	945,0	922,16	40	148,86	40	431,27	40	716,72
60	993,0	970,65	40	165,24				
76	1252,0	1229,27	40	267,00	40	757,78	40	1295,64