



# KETTENRADSCHEBEN FÜR ROLLENKETTEN – DIN 8187

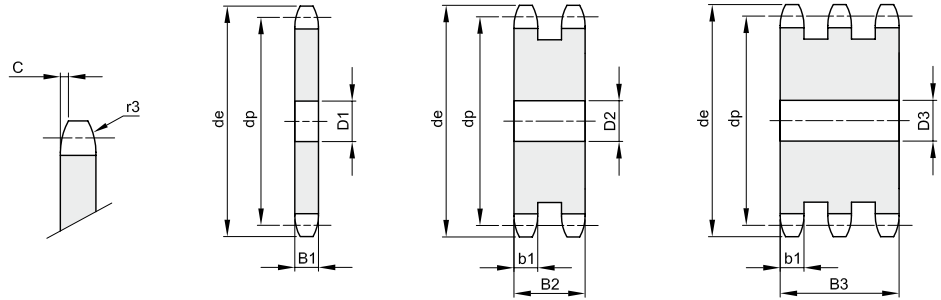
**1"3/4 x 1"1/4**

**44,45 x 30,99 mm**

**Rollen Ø 27,94 mm**

**28B - 1 - 2 - 3**

B1	B2	B3	b1	C	r3
29,4	88,4	148	28,8	5	44



Z	de	dp	einfach D1	kg	zweifach D2	kg.	dreifach D3	kg
8	132,0	116,15	20	1,71	25	4,01	25	6,39
9	146,0	129,96	20	2,26	25	5,48	25	8,80
10	160,0	143,85	20	2,88	25	7,17	25	11,56
11	174,0	157,77	25	3,53	30	8,92	30	14,44
12	188,0	171,74	25	4,29	30	11,04	30	17,93
13	204,0	185,75	25	5,12	30	13,38	30	21,79
14	218,0	199,76	25	6,03	30	15,94	30	26,02
15	232,0	213,79	25	7,01	30	18,72	30	30,61
16	246,0	227,84	30	8,02	30	21,71	30	35,57
17	260,0	241,90	30	9,14	30	24,92	30	40,89
18	274,0	255,98	30	10,34	30	28,36	30	46,58
19	289,0	270,06	30	11,61	30	32,00	30	52,64
20	303,0	284,15	30	12,95	30	35,87	30	59,06
21	317,0	298,24	30	14,37	30	39,96	40	65,20
22	331,0	312,34	30	15,86	30	44,26		
23	345,0	326,44	30	17,42	30	48,78	40	79,87
24	359,0	340,55	30	19,05				
25	373,0	354,66	30	20,76	30	58,50	40	95,99

Z	de	dp	einfach D1	kg	zweifach D2	kg	dreifach D3	kg
26	387,0	368,77	30	22,54	40	63,28		
27	401,0	382,88	30	24,39				
28	416,0	397,00	30	26,32	40	74,29		
30	444,0	425,24	30	30,38	40	86,17	40	142,70
32	472,0	453,49	30	34,74				
34	500,0	481,75	30	39,38				
35	514,0	495,88	30	41,82	40	119,69		
36	529,0	510,01	30	44,32				
38	557,0	538,27	30	49,55	40	142,42	40	236,43
40	585,0	566,54	30	55,07	40	158,67	40	263,52
45	656,0	637,22	30	70,13	40	203,10	40	337,73
50	726,0	707,91	30	87,01	40	252,99		
57	825,0	806,90	40	113,56	40	332,00	40	552,76
60	869,0	849,32	40	126,08				
76	1095,0	1075,62	40	203,89	40	600,35	40	1000,97