

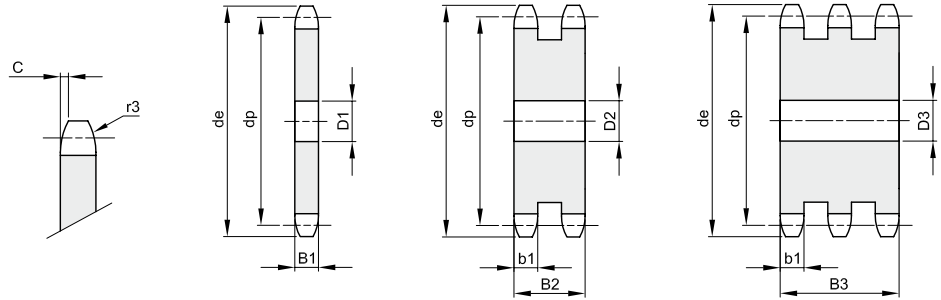


# KETTENRADSCHLEIBEN FÜR ROLLENKETTEN – DIN 8187

**1"1/2 x 1"**

**38,1 x 25,4 mm**  
**Rollen Ø 25,4 mm**  
**24B - 1 - 2 - 3**

<b>B1</b>	<b>B2</b>	<b>B3</b>	<b>b1</b>	<b>C</b>	<b>r3</b>
24,1	72	120,3	23,6	4	38



Z	de	dp	einfach D1	kg	zweifach D2	kg	dreifach D3	kg
8	113,0	99,55	20	1,00	25	2,31	25	3,67
9	125,0	111,40	20	1,32	25	3,18	25	5,10
10	137,0	123,29	20	1,69	25	4,19	25	6,75
11	149,0	135,21	25	2,07	25	5,33	30	8,42
12	161,0	147,22	25	2,53	25	6,59	30	10,50
13	173,0	159,18	25	3,03	25	7,99	30	12,81
14	185,0	171,22	25	3,57	25	9,52	30	15,33
15	197,0	183,26	25	4,16	25	11,18	30	18,08
16	209,0	195,30	25	4,79	30	12,85	30	21,04
17	221,0	207,34	25	5,47	30	14,77	30	24,22
18	233,0	219,42	25	6,19	30	16,82	30	27,61
19	245,5	231,49	25	6,95	30	19,00	30	31,23
20	257,5	243,57	25	7,76	30	21,31	30	35,06
21	270,5	255,65	30	8,57	30	23,75	40	38,60
22	282,5	267,73	30	9,46	30	26,33	40	42,87
23	294,5	279,80	30	10,40	30	29,03	40	47,36
24	307,0	291,88	30	11,38	30	31,86	40	52,07
25	319,0	304,00	30	12,41	30	34,83	40	56,99
26	331,0	316,08	30	13,47	30	37,93	40	62,14
27	343,0	328,19	30	14,59	30	41,15	40	67,50
28	355,0	340,27	30	15,74	30	44,51	40	73,08
29	367,5	352,38	30	16,94	30	48,00		
30	379,5	364,50	30	18,91	30	51,61	40	84,90
31	391,5	376,62	30	19,47	40	55,05		
32	403,5	388,69	30	20,80	40	58,93	40	97,59
33	415,5	400,81	30	22,18	40	62,94		
34	428,0	412,93	30	23,60	40	67,08		
35	440,0	425,04	30	25,06	40	71,35	40	118,26
36	452,0	437,16	30	26,60	40	75,75		
37	464,0	449,27	30	28,12	40	80,28		
38	476,5	461,39	30	29,71	40	84,95	40	140,90
40	501,5	485,62	30	33,03	40	94,66	40	158,08
41	513,5	497,74	30	34,75				
42	525,5	509,85	30	36,52	40	104,90		
45	562,0	546,20	30	42,08	40	121,24	40	201,37
46	574,0	558,32	30	44,03				
48	598,5	582,55	30	48,04	40	138,75	40	230,56
50	622,5	606,78	30	52,24	40	151,08	40	251,11
52	647,0	631,01	30	56,60				
54	671,0	655,25	30	61,14				
55	683,5	667,40	30	63,48				
56	695,5	679,50	30	65,86				
57	707,5	691,63	30	68,28	40	198,34	40	329,92
60	745,0	727,97	30	75,82	40	220,55	40	366,97
62	769,0	752,24	40	80,95				
65	805,5	788,59	40	89,14	40	260,19		
70	866,0	849,21	40	103,77				
76	939,0	921,98	40	122,54	40	358,88	40	597,76
80	987,5	970,44	40	135,99				
85	1048,0	1031,10	40	153,79				
95	1169,0	1152,33	40	192,67	40	583,00		